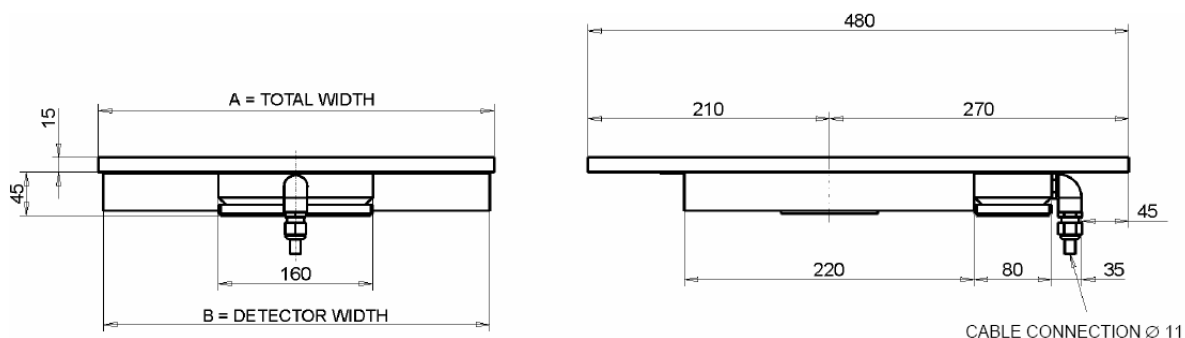
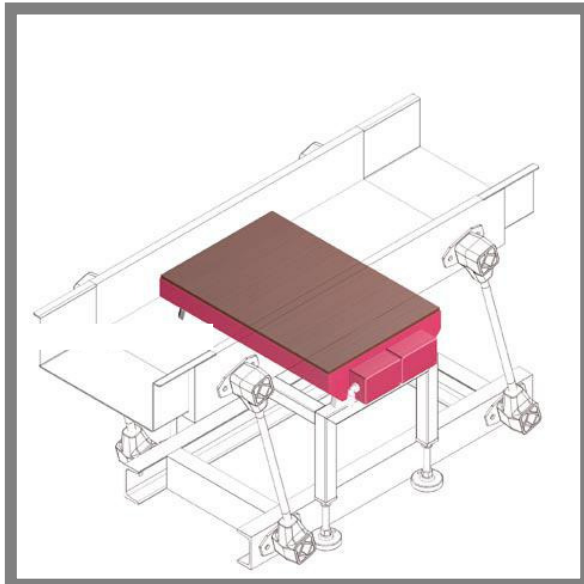
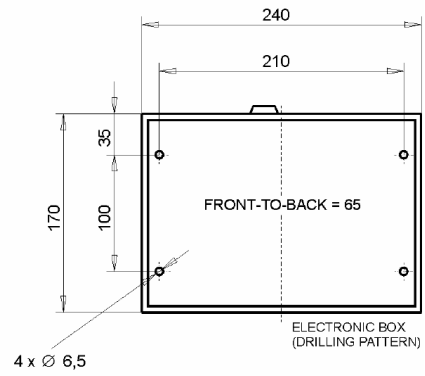
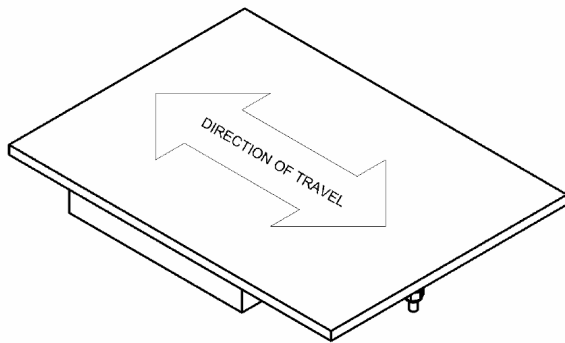
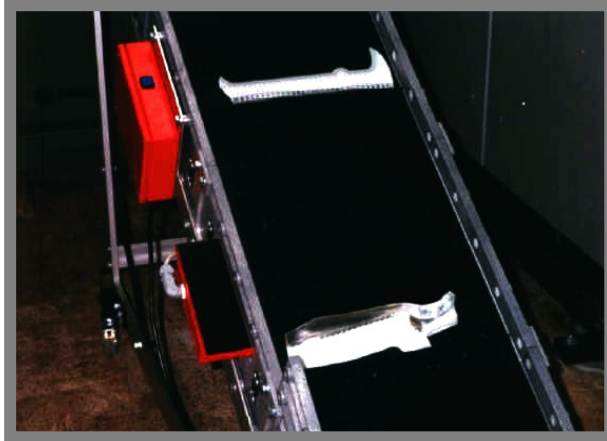


ANEXA B**Detector de metale tip Dectom-M03****Caracteristici tehnice**

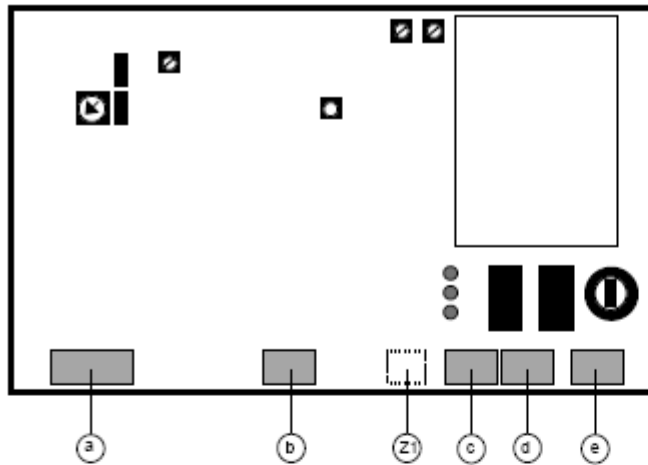
- Tensiune alimentare: 100 – 240 V AC, 50/60 HZ
- Curent consumat : max. 0,3
- Siguranta: 800 MA (SLOW BLOW)
- Tip protectie: IP 54
- Temperatura lucru : -10 °C - +50 °C
- Temperatura stocare : -10 °C - +60 °C
- Umiditate relativa: pina la 100 %
- Viteza benzii rulante: 0.05 pina la 1,5 m/sec (viteze superioare posibile)/ zona detectie din Duroplex
- Materiale : corp detector si unitate de control otel-carbon vopsite (RAL3027)
- Cablu de conectare unitate centrala: bobina de detectie / unitate centrala = 2 m
- Cablu retea: aprox. 1.8 m cu steker



A = 200 / 300 / 400/1000 mm



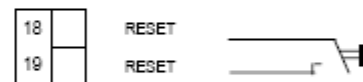
Conectarea detectorului – intrare / iesire semnale



(a) RECEIVER + (b) TRANSMITTER
CONNECTORS ARE USED BY THE MANUFACTURER!

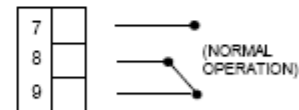
(Z1) RESET, EXTERN (OPTION)

◆ CONNECT ONLY FLOATING CONTACTS



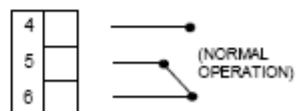
(c) FAULT

◆ FLOATING RELAY-CHANGE OVER CONTACT ACTUATED BY SELF MONITORING SYSTEM
MAX. CONTACT LOAD : 250 V / 3 A



(d) METAL

◆ FLOATING RELAY-CHANGE OVER CONTACT ACTUATED WHEN METAL IS DETECTED
MAX. CONTACT LOAD : 250 V / 3 A
PULSE DURATION (RESET BY HAND) : PERMANENT SIGNAL UNTIL RESET-BUTTON IS PRESSED
PULSE DURATION (AUTO-RESET) : APPROX. 200 MS



(e) POWER SUPPLY

◆ 100 – 240 V AC, 50/60 Hz, CURRENT CONSUMPTION: MAX. 0,3 A
OTHER VERSIONS AVAILABLE

